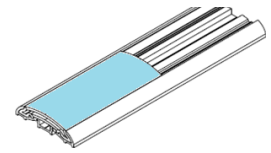


# Strike Point

## Technical Data Sheet - Continuous Affray Switch



### Product Description

Industrial Control System's Strike Point is a continuous switch / alarm. Its low profile minimise unintentional activations whilst the large target area ensure ease of activation in event of an emergency.

### Features

- Ease of activation – target area 60% of the exposed face of switch
- Tamper Proof installation – built in security features to ensure integrity of the switch
- Wide operating temperature range 4 to 40 degrees centigrade
- Colour Options Red, Green & Blue supplied as standard
- Inherent shape retention – reinforces operational properties of switch
- Illumination option – provides feedback on operational status to Staff
- Quick & easy to install –
  - Cut on site to suit requirements
  - Pre-wired fittings
  - Self aligning components
  - Range of ABS fittings
- Easy to integrate in to propriety systems
- IP65 rated

### Applications

- Affray switch for use in Custody Suites, Courts & Prisons
- Protection of staff vulnerable areas
- Protection of Disabled
- Emergency Stops for industrial equipment
- Anti-ligature switch

### Material Properties

#### Strip body

- PVC
- Nitro
- Contact Braid
- Water Absorption

#### Fittings

- ABS
- Water Absorption
- Aluminium Base

### Technical Specification

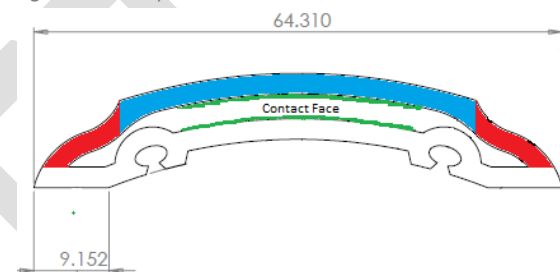
The switch consists of 4 main components

1. the switch body,
2. the base,
3. the lighting strip
4. the fittings

#### Switch Body

The switch body (fig 1) is designed to have a memory of a particular shape by combining of PVC and nitro. A copper braid form the electrical contact faces of the switch whilst retaining the flexible properties of the outer membrane.

Fig 1 Quick Strip

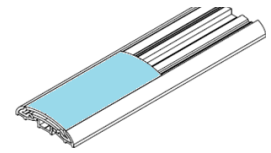


- Resistance per metre - .....Ohms
- Working Voltage 0 to 24 Volts
- Maximum Power Rating -..... Watts
- Maximum number of switch actions  $>10^6$
- Applied force to activate the switch.....KN
- Maintained Air Gap -..... mm
- Maximum allowable bend radius..... mm
- Contact
- Wight per metre

- The inherent properties of the materials chosen to create the body shape for the switch are reinforced by the manufacturing process (a).
- The combination of PVC and Nitro are co-extruded to ensure that the individual materials are fused together and the materials memories fixed in the desired shape.
- The switch operation is created by the elasticity of the material chosen for the target area (f) and the presence of voids which allow changes in the material shape.
- The size of the target area (f) is  $> 38\text{mm}$  to enable ease of activation
- The size of the contact face (g) enables activation of the switch by striking the target area at normal or acute angles
- The electrical contact is a multi-stranded braid which allows the active target area (f) to retain its inherent flexibility.

# Strike Point

## Technical Data Sheet - Continuous Affray Switch

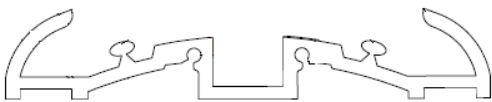


- The contact braid is incorporated in to the body of the switch as part of the extrusion process.
- Separation of the contact faces is maintained by the shape
  - the introduction of dissimilar materials with differing mechanical properties (b)
  - the projection created in the base (d)
- The security lugs introduce in the base act to maintain stress in the base contact (e).

### Base

The switch base is extruded from anodised aluminium to provide rigid containment for the switch whilst enable it to be secured to a building structure. The base also incorporates anti-vandal features

Fig 2 Switch Base



- Low profile height – 14mm; width 64mm
- Lengths 2 metres
- Weight
- Designed for ease of cleaning
- Central channel for lighting containment
- Shaped to accept distortion of building
- Pre-drilled for ease of fixing
- Security lugs angled to restrict removal following installation
- Alignment points to enable lengths of the base to be fixed together

### Illumination

Illumination of the strip is provided by LED's which are positioned in the central along the entire length of the strip. The illumination is designed to be capable of being switched so as to provide assurance to the user of operation and alarm conditions.

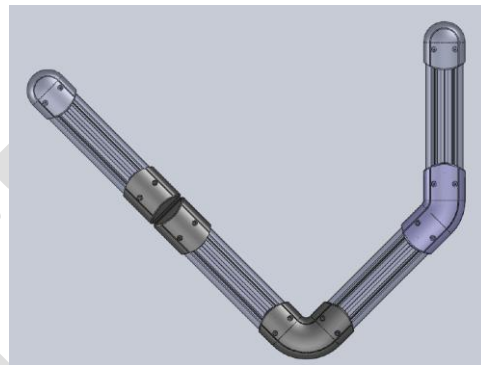
- Working voltage: 12 volts
- Power 14.4watts/metre
- LED's 3-chip 5050 single colour SMD
- LED beam angle 120 degree
- 60 LED's/metre
- Cut along cut mark
- Minimum cut 3 LED

### Fittings

A comprehensive range of fitting are supplied with Quick Strip to ease installation. The fitting consist of a common pre-wired base and a selection of covers that form,

- end cap
- internal and external bends
- 90° bend
- 135° bend

Fig 4 Fittings



- Tamper and vandal proof fittings
- Base and caps fitted with seals to achieve IP65

### Accessories